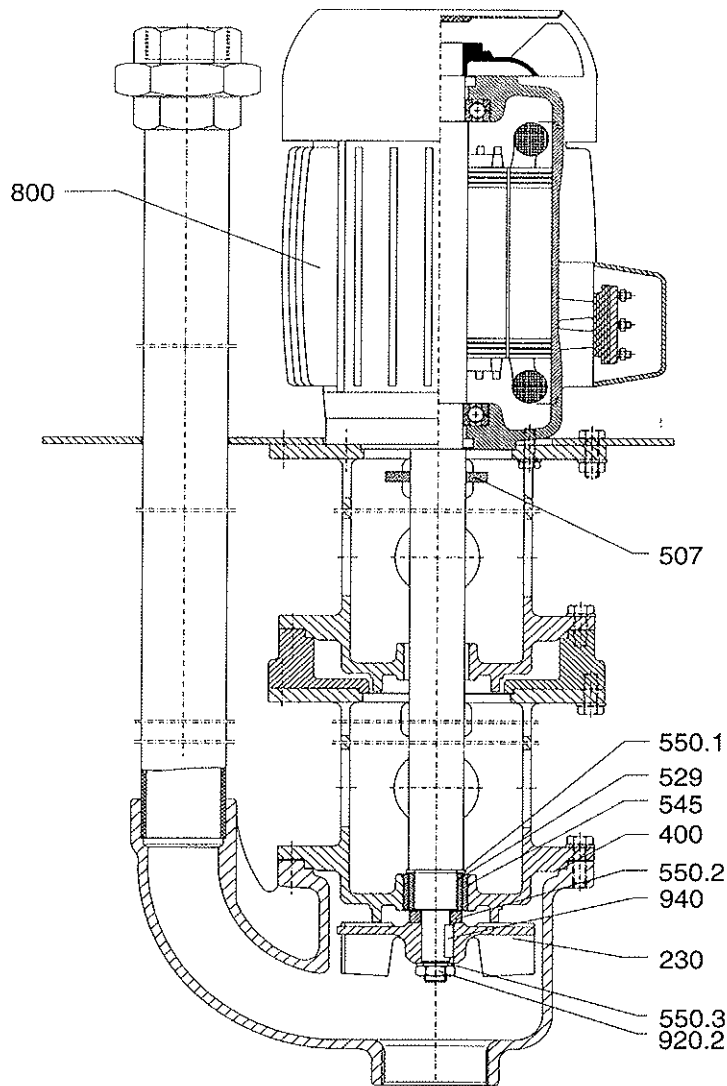


Centrifugal pump type TF 50



When ordering spare parts, please note down and state the designation on the nameplate.

Part no.	Part designation
230	Impeller
400	Sealing
507	Splash ring
529	Bush inside
545	Bush outside
550.1	Disc
550.2	Distance disc

Part no.	Part designation
550.3	Disc
800	Motor
920.2	Nut
940	Feather key